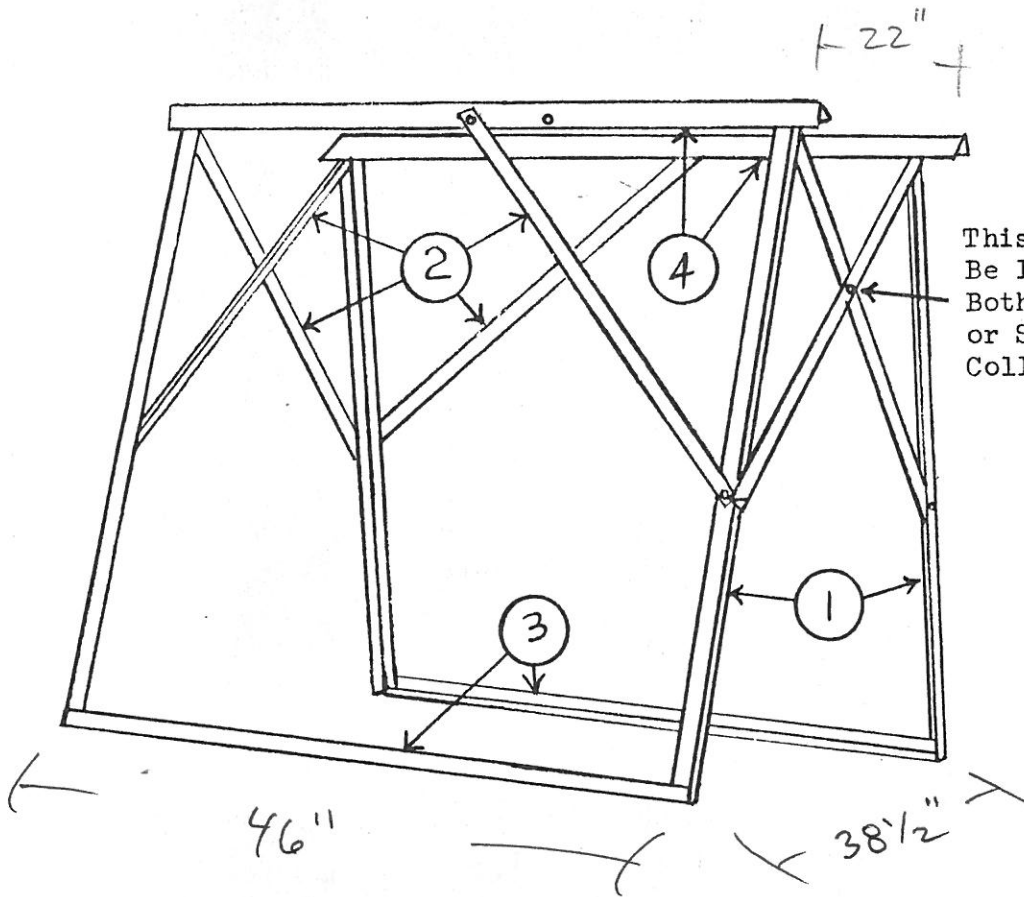


WE-MAC MANUFACTURING COMPANY



This Bolt Must Be Installed on Both "X" Braces or Stand will Collapse.

PART NO.	QTY	PART NAME	SIZE
1	4	LEG	1 1/4 x 1 1/4 Angle 48" Long
2	6	END AND SIDE BRACE	1 x 1 Angle 36" Long
3	2	LOWER BRACE	1 1/4 x 1 1/4 Angle 46" Long
4	2	TOP BRACKET	2 x 2 Angle 48" Long
5	22	BOLT WITH NUT	5/16" x 3/4"